

Sport Sway Bar Kit 2254 70-74 Chrysler E-Body 'Cuda, Challenger

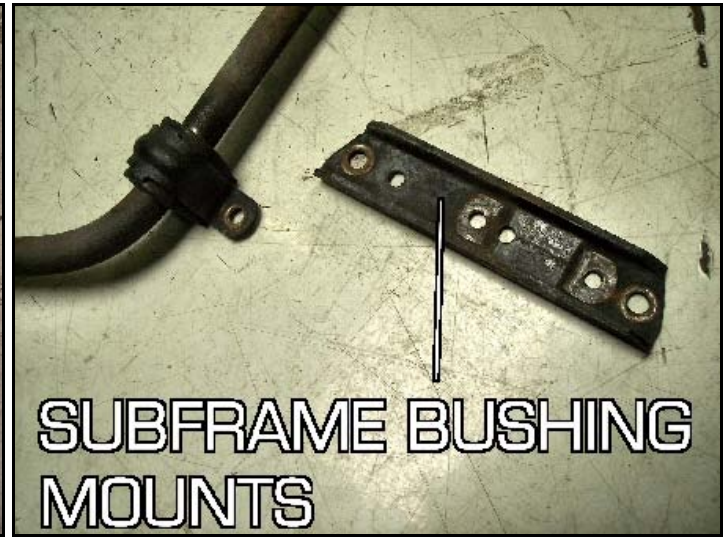
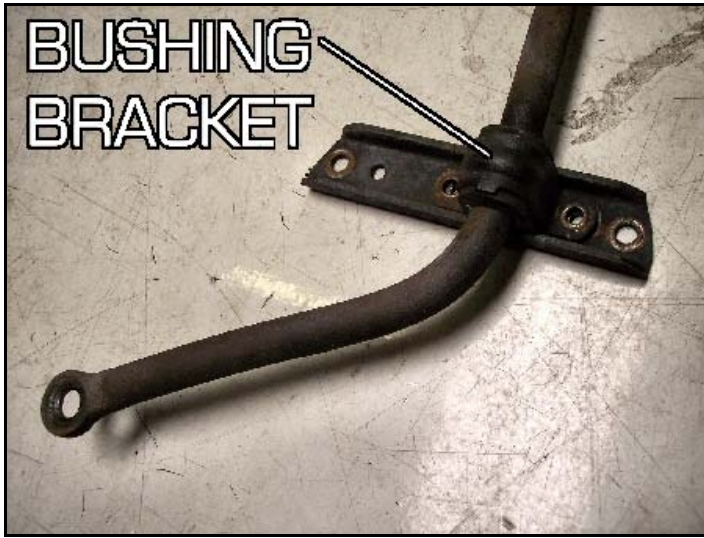


*Thank you for your purchase from our new line of Mopar parts.
Please call us at 877 - 4NO - ROLL if you have any questions
regarding the service or installation of your Hotchkis Performance products.*

IMPORTANT: PLEASE READ THE ENTIRE INSTRUCTION MANUAL BEFORE STARTING THIS INSTALLATION. THERE'S SOME HOLE DRILLING INVOLVED AND IT WOULD BE A SHAME TO MAKE ANY UNNECESSARY HOLES DUE TO INSTALLER ERROR. METAL GRINDING IS ALSO NECESSARY.

Installation of Hotchkis Front Sway Bar

- 1F. Raise the Vehicle*
Raise the vehicle and safely secure it on jack stands. Remove either the driver or passenger side wheel.
- 2F. Disconnect End Links*
Disconnect the stock sway bar end links from the lower control arm and the sway bar
- 3F. Disconnect Bushing Brackets*
Disconnect the bushing bracket from the subframe bushing mounts.
- 4F. Remove Subframe Bushing Mounts.*
Unbolt the 2 nuts and remove the subframe bushing mounts.



5F. Remove the Front Stock Sway Bar

Fish the stock bar towards the side that the wheel was taken off. The stock sway bar should be able to be completely removed from the vehicle.

6F. Disconnect the Radiator Bracket

There is a radiator bracket directly in front of the k-frame. Disconnect the rearward bolt and loosen the front bolt to swing the bracket out of the way.



7F. Cut Skid Plate

If your k-frame has a skid plate you will need to cut the front welds that attach the plate to the k-frame. This will allow you to carefully bend the skid plate downward to allow the new bar to go in. Use a cut-off wheel or grinder to cut the welds. You will be re-bending and rewelding the plate back to it's original position later in this installation.



8F. Install Hotchkis Sway Bar

Insert the Hotchkis front sway bar through the middle of the k-frame like the stock bar use to.

9F. Install New Subframe Bushing Mounts

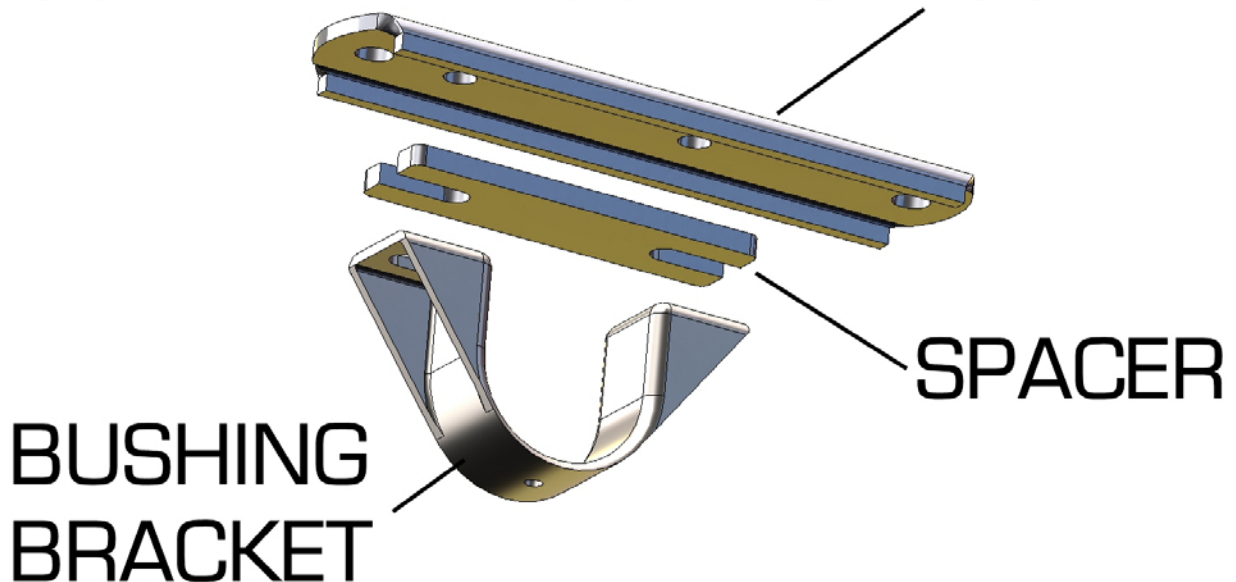
Install the Hotchkis subframe bushing mounts with the included hardware. Use the fine thread 3/8 hex bolts for this mount. Make sure to use a washer for the bolt head and the nut side.



10F *Install the Bushings & Brackets*

Lube the inside surface of the new bushings with the provided grease. Install the bushings on to the bar. Install the bushing bracket onto the bushing. Due to tolerances in subframes, you may need to install one or two 1/8" spacers between the bushing and the subframe bushing mounts. Please check the clearance the bar has inside the k-member. If it needs to move up or down, use add or remove the spacers to achieve proper clearance. Use the provided 3/8" socket head bolts and nuts. These are coarse thread. Use the flat cut washers on the socket head side and insert the bolts from the bottom

SUBFRAME BUSHING MOUNT



11F. *Install End Links*

Install the new end links in the same fashion as the stock removal.



12F Re-Weld Skid Plate

Use a jack to push the skid plate back to its original position. Sand or grind down the area near the cut. Disconnect the car battery and re-weld the plate.

13F Sway Bar Stiffness

This bar is 220% stiffer than stock.



Installation of Hotchkis Rear Sway Bar

1R. Raise the Vehicle, Remove Rear Bar

Installation must be done at ride height. Drive vehicle on to ramps, or use a 4-post alignment style rack. If your vehicle has a factory sway bar, jack up the vehicle and support with jack stands, remove one wheel, remove end links and bushing brackets, and slide bar out side of vehicle. Install wheel, and lower vehicle back down to ride height.



2R. Install Axle Brackets

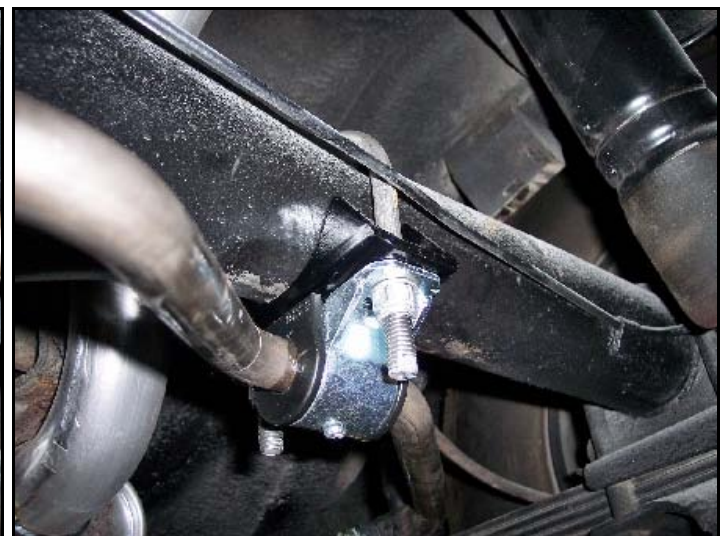
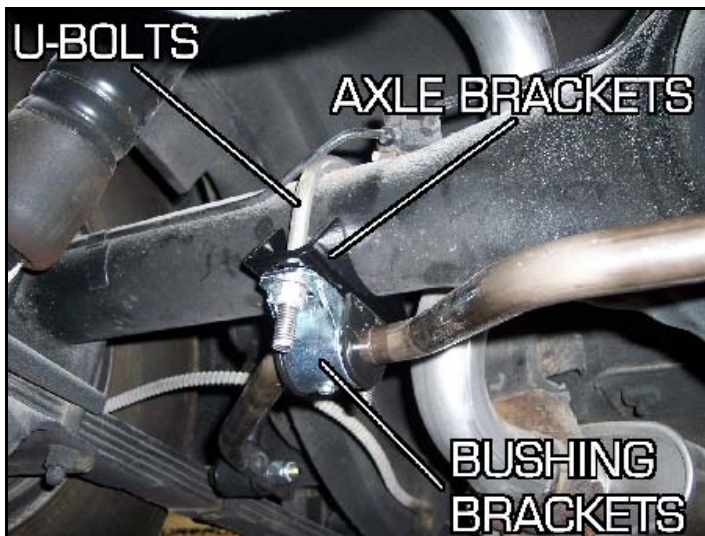
Hang the bushing bracket u-bolts over the axle tubes.

3R. Install Bushings & Brackets

Apply grease to the new bushings with the supplied grease, install onto sway bar, and press bushing brackets over bushings.

4R. Attach bar to Axle

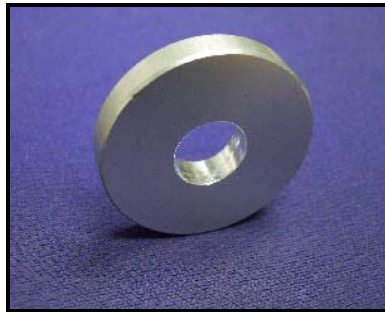
Lift the sway bar into position, and attach to u-bolts with the axle brackets. Install the nuts onto the u-bolts, but do not completely tighten yet. Align the axle brackets so they are level with the ground.



- 5R. *Install End Link Dog Bones & Frame Bracket for Mock Fit*
Install dog-bones and triangle frame brackets onto sway bar with the supplied hardware in the center hole of the sway bar.

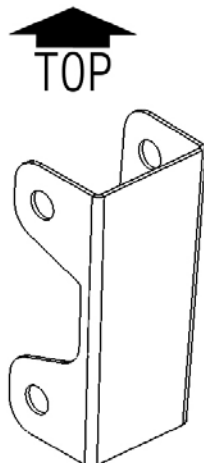


We've noticed on some E-bodies that the distance between the left and right frame rails were ½" wider. If the frame bracket does not line up in the center of each frame rail due to the frames having a wider span, then please install the optional spacer between the sway bar and the end link.

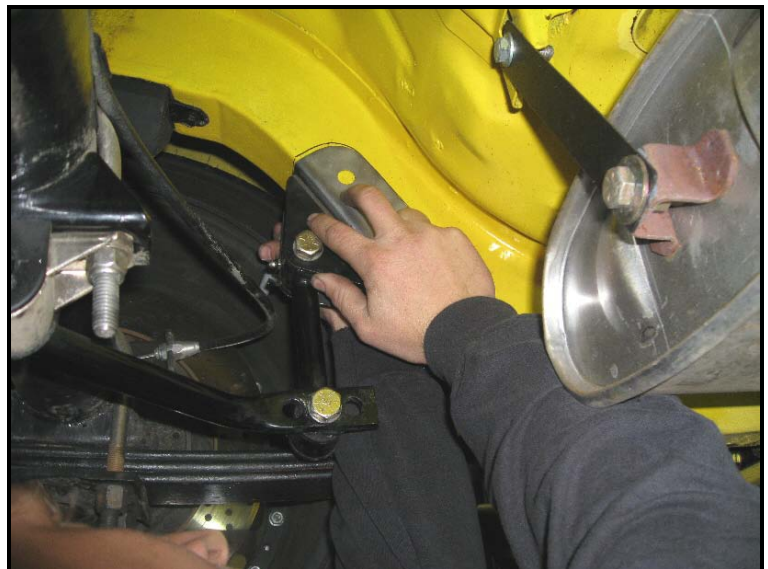


6R. Mock Up Reinforcement Frame Brackets

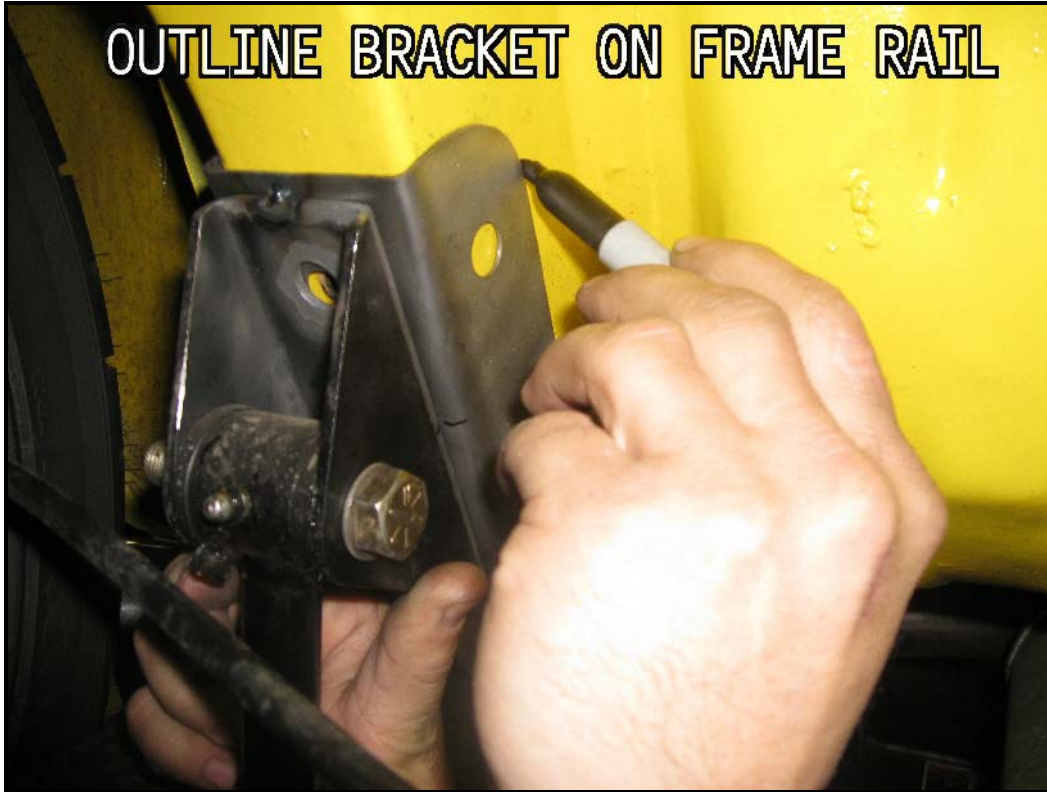
Since the vehicles frame rails are made out of thin steel, it is necessary to reinforce the frame rails in the area that the sway bar mounts to. There are 2 brackets that are included in your kit (one per side).



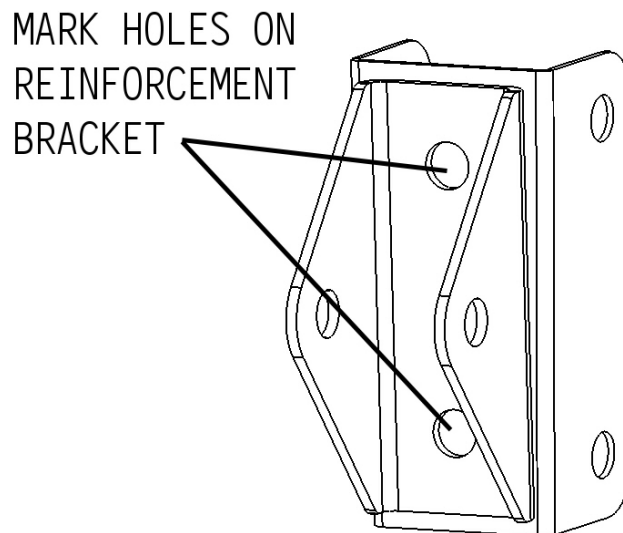
REINFORCEMENT BRACKET



Place the reinforcement bracket onto the frame rail and position the sway bar triangle frame bracket up against the reinforcement bracket. Mark the frame rails outlining the entire bracket including the side holes. Do this for both sides.

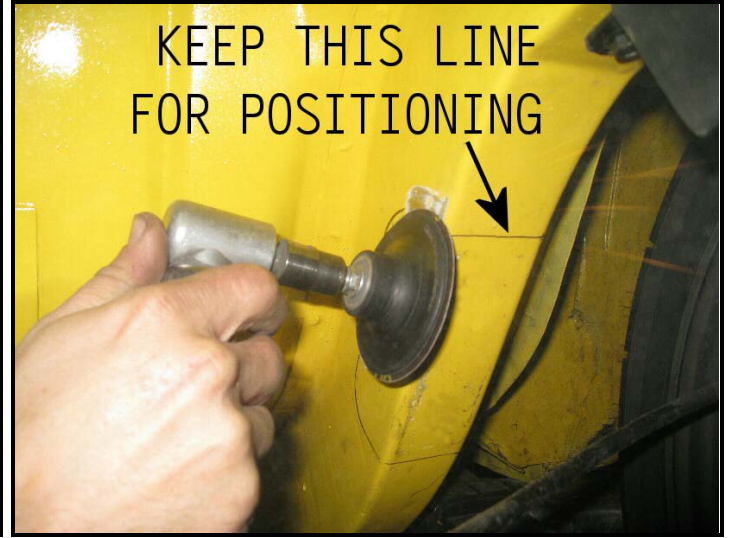


With the brackets in position, mark the hole position of the triangle bracket onto the reinforcement bracket.



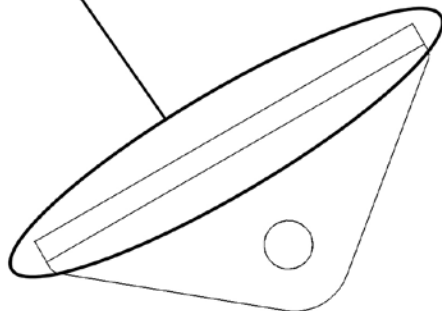
7R. *Clean Area for Welding*

Raise the rear of the vehicle and remove the rear wheels. This will allow you go access the outer section of the frame rails easier. Sand the paint off the frame rails near the outline of the bracket.

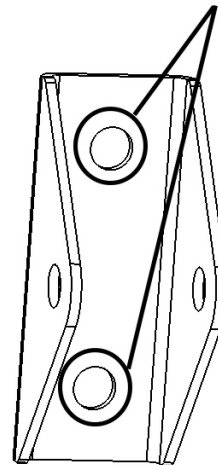


Sand the frame triangle bracket in the sections showed below.

SAND PAINT OFF



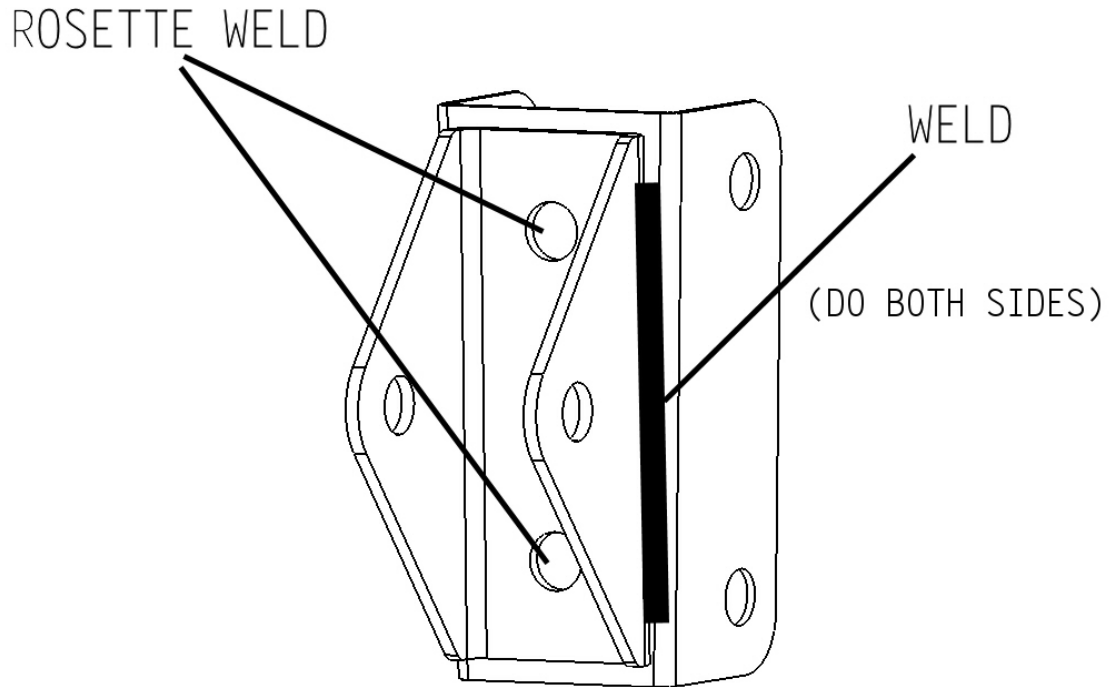
SAND PAINT OFF



8R. *Weld Triangle Bracket to the Reinforcement Bracket*

C-Clamp the triangle frame bracket to the reinforcement bracket and rosette weld the 2 holes you marked at the end of step 6R. Once the brackets are together, weld a bead along the

side edges of the triangle bracket and the reinforcement bracket. Do this for both driver and passenger sides.

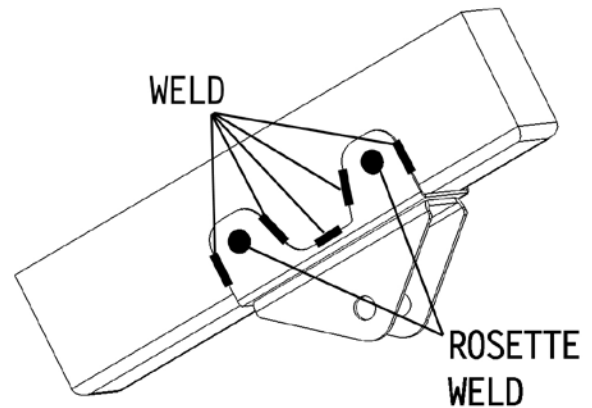
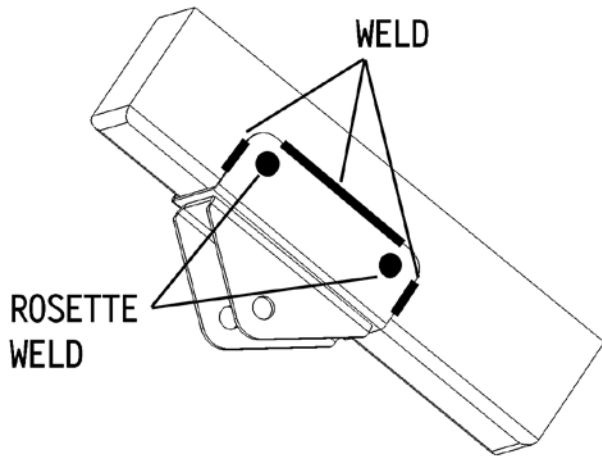


9R. Weld Reinforcement Brackets to Frame Rails

With the triangle bracket and reinforcement brackets welded together, slide the reinforcement bracket onto the frame rail. C-clamp it into place. Use the "positioning line" made in step 7R to get the assembly into the correct position.



Weld the bracket to the frame rail as shown below.



10R *Paint & Reassemble End Links*

Once the brackets are welded in place, paint the exposed metal with your choice of color. Reinstall the end links onto the triangle brackets and fully tighten all hardware. You are finished!



11R *Offset Leaf Springs Owners!*

If you have installed a 1-1.5" offset leaf spring kit prior or after the installation of the Hotchkis sway bar set, you may have an interference issue between the leaf spring and the dog bone attachment at the sway bar end. You can gain more clearance by installing our studded dog bone conversion kit 17366.



Hotchkis Performance LLC Return Policy & Limited Warranty

Effective December 1, 2010 all Hotchkis products must be registered to qualify for warranty at www.hotchkis.net or via the mail-in warranty card, included with the product, within 30 days of the original purchase date.

IMPORTANT: This warranty supersedes all other warranties included with this product.

Return Policy

We want you to be completely satisfied with your Hotchkis Performance product. For products, presenting signs of shipping damage please contact the freight carrier immediately. All our products are guaranteed to be free from manufacturer's defects. If your order arrives with a manufacture defect, please contact our Customer Service Department at (562) 907-7757. You will be assigned a Returned Goods Authorization Number (RGA). The package you return must show the RGA on the outside of the package, include the original invoice and be shipped prepaid to our facility. The product has to be unused and in its original packaging materials. Exchanges or refunds made after 30 days will be subject to a 20% restocking charge. **If you purchased your Hotchkis Performance product from an authorized dealer, you are still covered by this return policy. All returns however, should be made to your dealer, not to Hotchkis Performance directly.**

Limited Warranty

Hotchkis Performance offers a Limited Warranty against defects in materials and workmanship for the term of 36 months (3 years) from the date of purchase of this product. This Warranty only applies to the original retail purchaser who retains ownership of the vehicle on which the product was originally installed. If the product is determined to be defective, Hotchkis Performance will repair, replace or refund the purchase price of the defective product at Hotchkis Performance's sole discretion, which shall fully satisfy and discharge any and all warranty claims. Any repaired or replaced product will be returned to the sender excluding the cost of freight. **Products must be registered to qualify for warranty at www.hotchkis.net or via the mail-in warranty card, included with the product, within 30 days of the original purchase date.**

Exclusions from Warranty

Items offered but not manufactured by Hotchkis Performance are warranted according to the manufacturer's terms and are not covered by this limited warranty. Hotchkis Performance shall not be responsible for any labor, removal, installation, re-installation or maintenance costs. This warranty does not cover the cosmetic finish or plating of any product or any normal wear and tear to any product including, but not limited to bushings, brackets, end-links, hardware, steering components, shocks or springs. In addition, this warranty does not apply to any products that have been:

- Improperly installed or installed by someone other than a qualified, licensed auto mechanic experienced in the installation and removal of suspension products;
- Improperly serviced, misused, or modified, altered or subjected to abuse, negligence, accident or collision;
- Installed in any vehicle that has been modified;
- Installed on any vehicle that has carried loads in excess of automobile manufacturer suggested weight limits; or
- Installed on any vehicle that has been subject to abnormal or excessive use, including rallying, racing, or racing-type activities or off-road use.

Limitation of Warranty

This limited warranty is the entire and only warranty for the products and may not be modified or supplemented by any other person or company in any form. Any description of the products, by anyone, is for the sole purpose of identifying them and is not part of the basis of the bargain, and does not constitute a warranty that the products will conform to that description. The statements of any salesperson do not constitute part of this limited warranty and cannot be relied upon as a warranty.

THERE ARE NO WARRANTIES, EXPRESSED OR IMPLIED, INCLUDING ANY IMPLIED WARRANTIES OF MERCHANTABILITY OR FITNESS FOR A PARTICULAR PURPOSE, WHICH EXTEND BEYOND THE DESCRIPTION ON THE FACE HEREOF. ANY IMPLIED WARRANTIES ARE DISCLAIMED TO THE FULLEST EXTENT PERMITTED BY LAW. THIS WARRANTY DOES NOT COVER CONSEQUENTIAL DAMAGES, LOSS OF TIME OR REVENUES, INCONVENIENCE, LOSS OF USE OF THE VEHICLE, DAMAGE TO THE VEHICLE OR COMPONENTS OF THE VEHICLE, ANY OTHER TYPE OF



CONSEQUENTIAL DAMAGES, OR OTHER INCIDENTAL OR INDIRECT DAMAGES. HOTCHKIS' MAXIMUM LIABILITY UNDER THIS WARRANTY SHALL IN NO EVENT EXCEED THE PURCHASE PRICE OF THE PRODUCT. Some states do not allow limitations on how long an implied warranty lasts or the exclusion or limitation of incidental or consequential damages and in such states the above limitations or exclusions may not apply. This limited warranty gives the purchaser specific legal rights and the purchaser may have other rights that may vary from state to state.

Technical Information

Hotchkis Performance makes every effort to ensure that you are provided with the most accurate and up-to-date technical information. However, all technical information is approximate and may vary upon application. Additional suspension components may be needed in some applications, depending upon the make, model, engine and chassis of the vehicle. Hotchkis Performance is not responsible for any consequences resulting from manufacturer's technical mid-year changes. Hotchkis Performance products should only be installed by a qualified, licensed auto mechanic experienced in the installation of such products.

Warranty Claim Procedure:

The answer to ALL the following questions should be YES before making a warranty claim:

- Did you register the product at www.hotchkis.net or via the mail-in warranty card within 30 days of purchase?
- Is the product appropriate to your application?
- Did you carefully and thoroughly read the instructions provided along with the product?
- Do you have the original invoice or sales receipt?
- Is the return date within 36 months from the purchase date?
- Are you the original purchaser?
- Was the product properly installed by a qualified, licensed auto mechanic?
- Has the product been installed on the original vehicle on which it was installed at all times?
- Is the product unmodified and clean?
- Is the reason for return a legitimate product defect?

If the answer to all these questions is YES, please contact our Customer Service Department at (562) 907-7757. You will be given a Returned Goods Authorization Number (RGA) valid for 60 days. You will also be asked to ship the product prepaid to our facility. All shipments MUST be (i) prepaid, (ii) include the original invoice or sales receipt, (iii) show the RGA on the outside of the package and (iv) include your name, address, make and model of the vehicle, and a brief description of the claimed defect, including the circumstances under which the defect occurred. If the warranty claim is deemed valid then Hotchkis will estimate shipping costs to return the repaired or replacement part and contact you for payment. Hotchkis's Limited warranty requires that any repaired or replaced product will be returned to the sender excluding the cost of freight. Warranty related inquires should be sent to the following address:

**HOTCHKIS PERFORMANCE, LLC
C/O CUSTOMER SERVICE
8633 Sorensen Avenue
SANTA FE SPRINGS, CA 90670**

Hotchkis Performance will not accept product returns without the RGA number, receipt and the information described above. C.O.D. or collect shipments will be refused. Once the returns are received at Hotchkis Performance, we will evaluate the products, verify the sales receipt, and investigate the warranty claim. Any repaired or replaced product will be returned to the sender.

Effective December 1, 2010. This return policy and limited warranty supersedes all previous policy and warranty statements. Policies and warranties are subject to change without notice. Hotchkis Performance is not responsible for printing errors.